

How to read your map

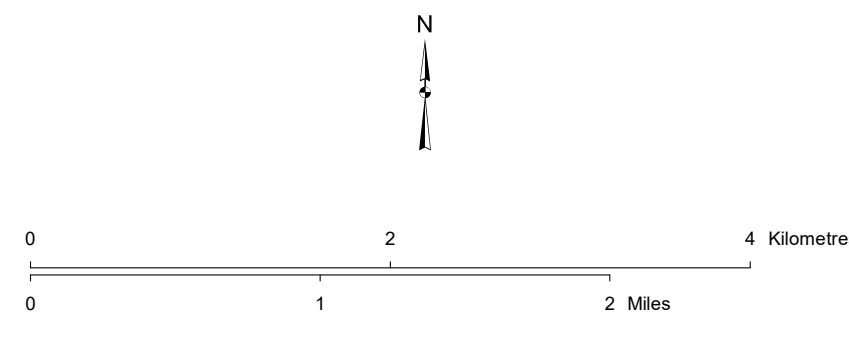
This map will help you locate the potential transmission line routes in relation to your property. The black dots and corresponding letters and numbers (for example A4) will identify route intersections or different features such as a dead end locations (dead ends are used to change the direction of a line), please refer to the specific strip map for that area. Only one route will be approved and constructed.

LEGEND

● Point Designation	— West Calgary Ring Road Route A	— Transportation Utility Corridor	— Railway	■ Park
● Previously Considered Point Designation	— West Calgary Ring Road Route B	— River or Stream	— Cemetery	■ Urban Area
■ Existing Substation	— Proposed Salvage of Existing Transmission Line	● Day Care	— Road	■ Water Body
— Existing Transmission Line Rebuild	— — — Previously Considered Route Option	● Hamlet or Locality	— — — Airport	— Environmentally Significant Area
— Highway 1 North Route	— Existing Transmission Line	● Residence	— — — First Nations Reserve	— — — Mill
— Highway 1 South Route	— Existing 3rd Party Transmission Line	● School	— — — Oil and Gas Plant	— — — Pipeline
— Springbank Road and Range Road 32 Route	— Planned Road Infrastructure Line	● Wellsite		
— Range Road 30 and Township Road 242 Route	— Planned Stormwater Pond and Drainage	— Municipal or County Boundary		
— Township Road 242 and Range Road 25 Route		— Pipeline		

NO: 35026416 - 0025
 DRAWN: SG - AL
 FILE NO: XXXXXXXX
 REVISION: 3.01.05
 AL FOLDER: 150L Transmission Line Rebuild
 DATE: 2021-11-15

Service Layer Credits: Source: Esri, Maxar, GeoEye, Earthstar Geographics, CNES/Airbus DS, USDA, USGS, AeroGRID, IGN, and the GIS User Community
 Although there is no reason to believe that there are any errors associated with the data used to generate this product or in the product itself, users of these data are advised that errors in the data may be present.



DETAIL PHOTO DP1

ALTALINK
 A BENSHERE HATHAWAY ENERGY COMPANY

PROPOSED

150L Transmission Line Rebuild